

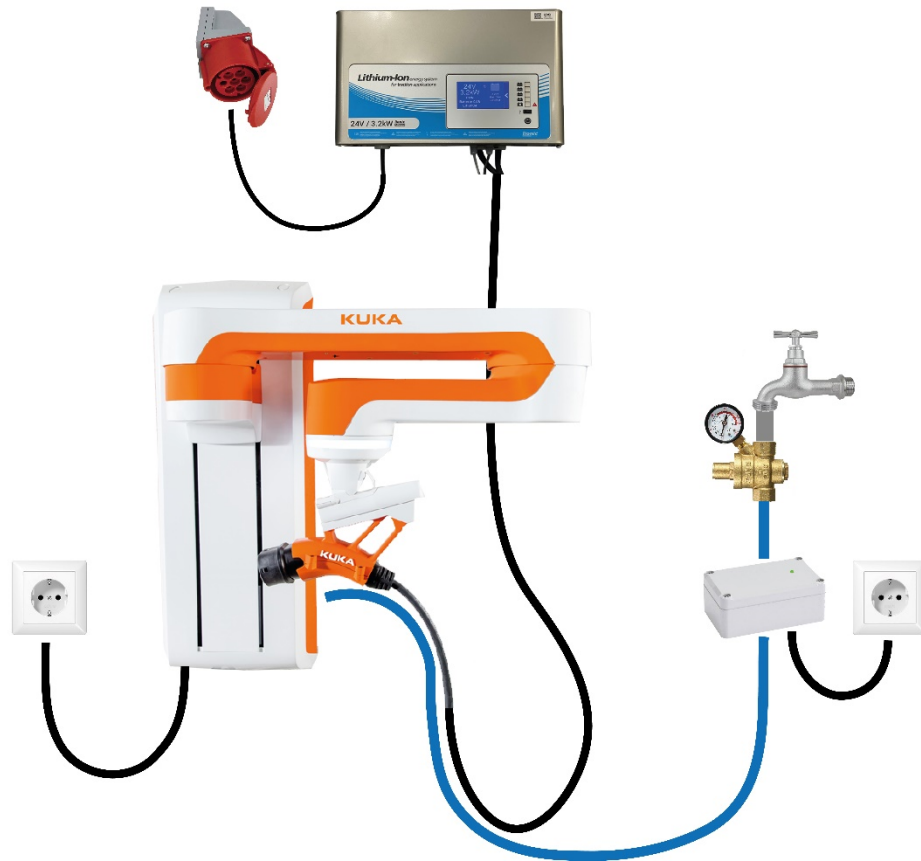
RA660 NAVI XL

AUTONOMOUS DOCKING STATION

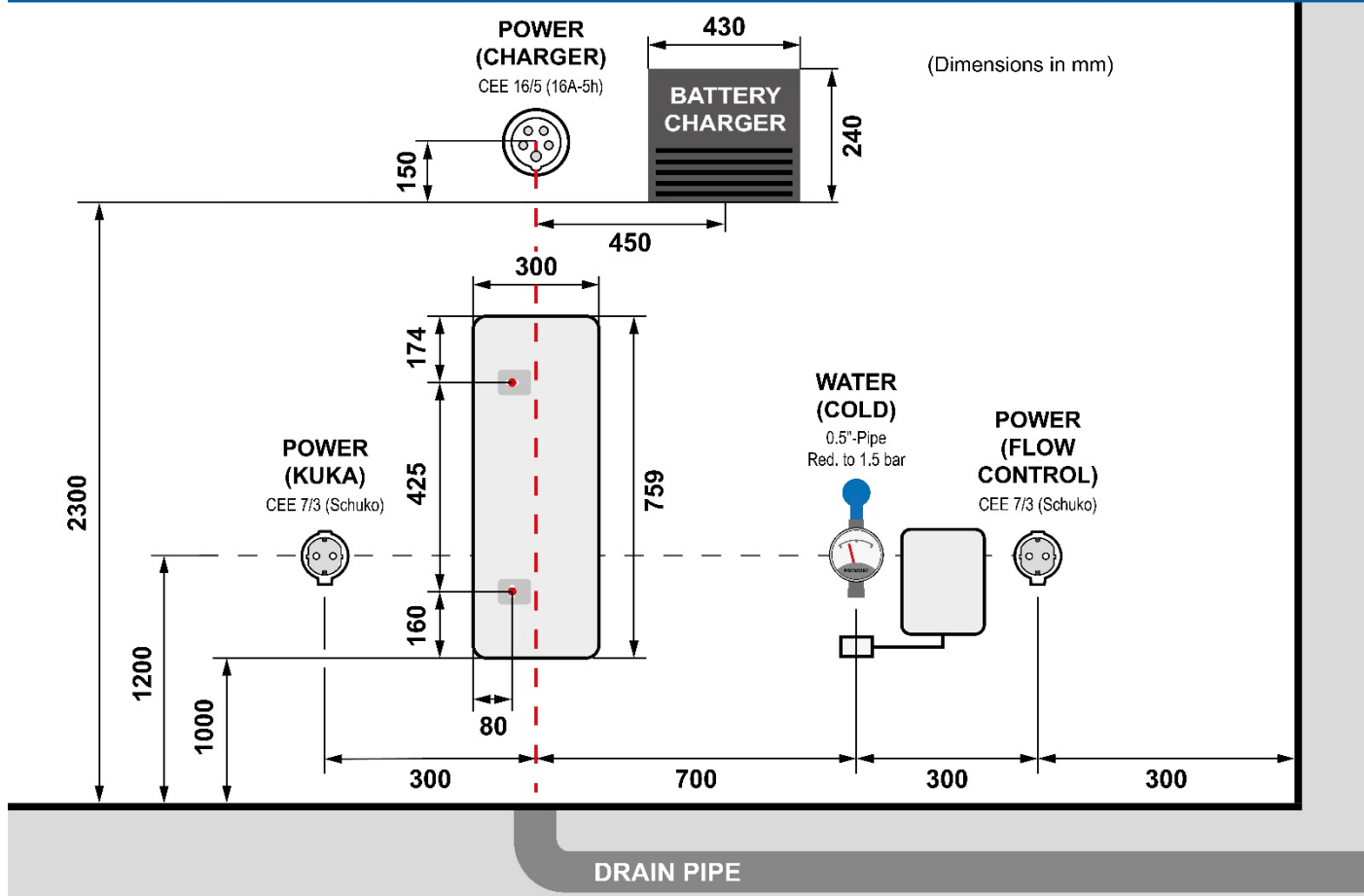


INSTALLATION LAYOUT

OVERVIEW



INSTALLATION LAYOUT



Cleanfix Reinigungssysteme AG
Stettenstrasse 15
CH-9247 Henau-Uzwil/SG
Tel. +41 71 955 47 47
info@cleanfix.com

 SWISS MADE QUALITY